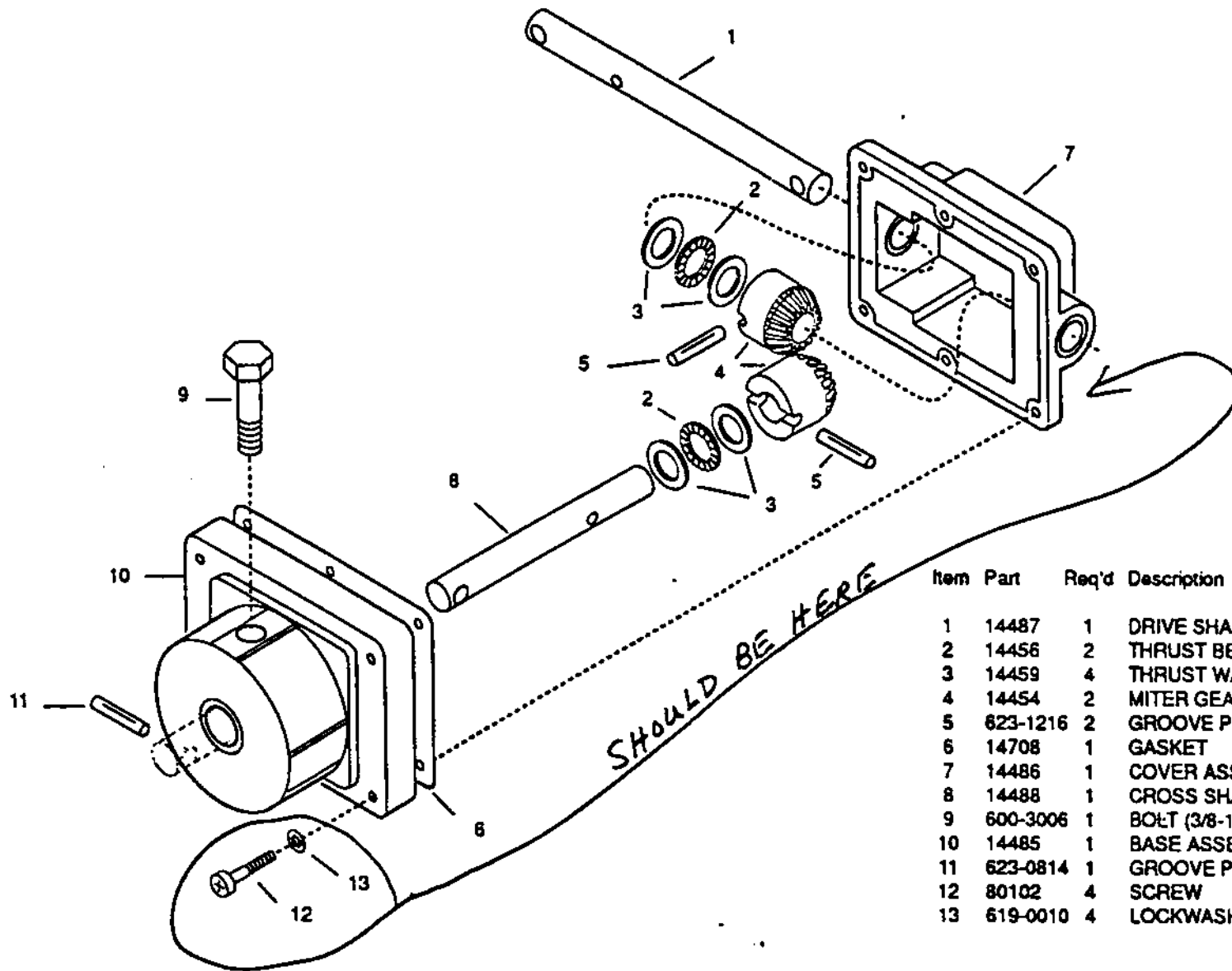


# RIGHT ANGLE GEAR BOX

1:1



H&H BRAUND MFG. CO.  
 (CANADA) LIMITED  
 183 Durham St. W. Mount Forest ON N0G 2L1  
 Phone: (519) 323-2021 Fax: (519) 323-2898



Item	Part	Req'd	Description
1	14487	1	DRIVE SHAFT
2	14456	2	THRUST BEARING
3	14459	4	THRUST WASHER
4	14454	2	MITER GEAR
5	623-1216	2	GROOVE PIN (3/16")
6	14708	1	GASKET
7	14486	1	COVER ASSEMBLY
8	14488	1	CROSS SHAFT
9	600-3006	1	BOLT (3/8-16 X 3/4")
10	14485	1	BASE ASSEMBLY
11	623-0814	1	GROOVE PIN (1/4")
12	80102	4	SCREW
13	619-0010	4	LOCKWASHER

Drawing Number 21889  
 REV. 011394  
 17305