

**SPECIFICATIONS:**

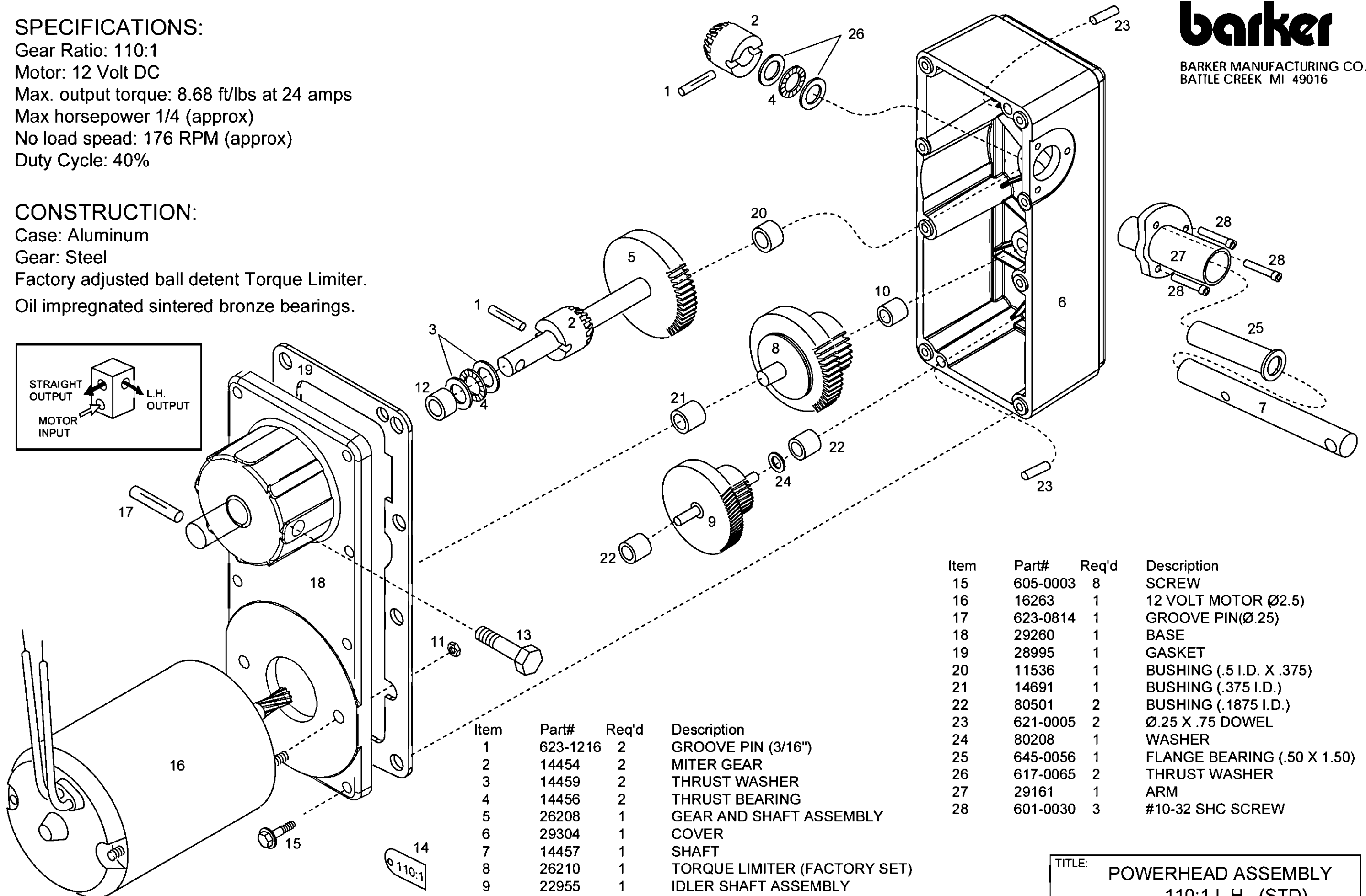
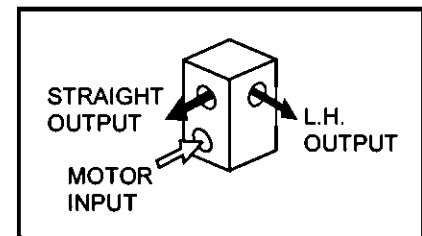
Gear Ratio: 110:1  
 Motor: 12 Volt DC  
 Max. output torque: 8.68 ft/lbs at 24 amps  
 Max horsepower 1/4 (approx)  
 No load speed: 176 RPM (approx)  
 Duty Cycle: 40%

**CONSTRUCTION:**

Case: Aluminum  
 Gear: Steel  
 Factory adjusted ball detent Torque Limiter.  
 Oil impregnated sintered bronze bearings.

**barker**

BARKER MANUFACTURING CO.  
 BATTLE CREEK MI 49016



Item	Part#	Req'd	Description
1	623-1216	2	GROOVE PIN (3/16")
2	14454	2	MITER GEAR
3	14459	2	THRUST WASHER
4	14456	2	THRUST BEARING
5	26208	1	GEAR AND SHAFT ASSEMBLY
6	29304	1	COVER
7	14457	1	SHAFT
8	26210	1	TORQUE LIMITER (FACTORY SET)
9	22955	1	IDLER SHAFT ASSEMBLY
10	645-0044	1	BUSHING (.472 X .591 X .315)
11	611-2100	2	HEX NUT
12	14489	1	BUSHING (.5 I.D. x .75)
13	600-3006	1	BOLT (.375-16 X .75)
14	16133	1	I.D. TAG

Item	Part#	Req'd	Description
15	605-0003	8	SCREW
16	16263	1	12 VOLT MOTOR (Ø2.5)
17	623-0814	1	GROOVE PIN(Ø.25)
18	29260	1	BASE
19	28995	1	GASKET
20	11536	1	BUSHING (.5 I.D. X .375)
21	14691	1	BUSHING (.375 I.D.)
22	80501	2	BUSHING (.1875 I.D.)
23	621-0005	2	Ø.25 X .75 DOWEL
24	80208	1	WASHER
25	645-0056	1	FLANGE BEARING (.50 X 1.50)
26	617-0065	2	THRUST WASHER
27	29161	1	ARM
28	601-0030	3	#10-32 SHC SCREW

TITLE: POWERHEAD ASSEMBLY 110:1 L.H. (STD)		
COMPANY:		
MODEL #: 17310	DATE: 1 JUNE 05	DRAWING #: 17856
REVISION LETTER: C	ECN#: 12648	APPROVED: GB