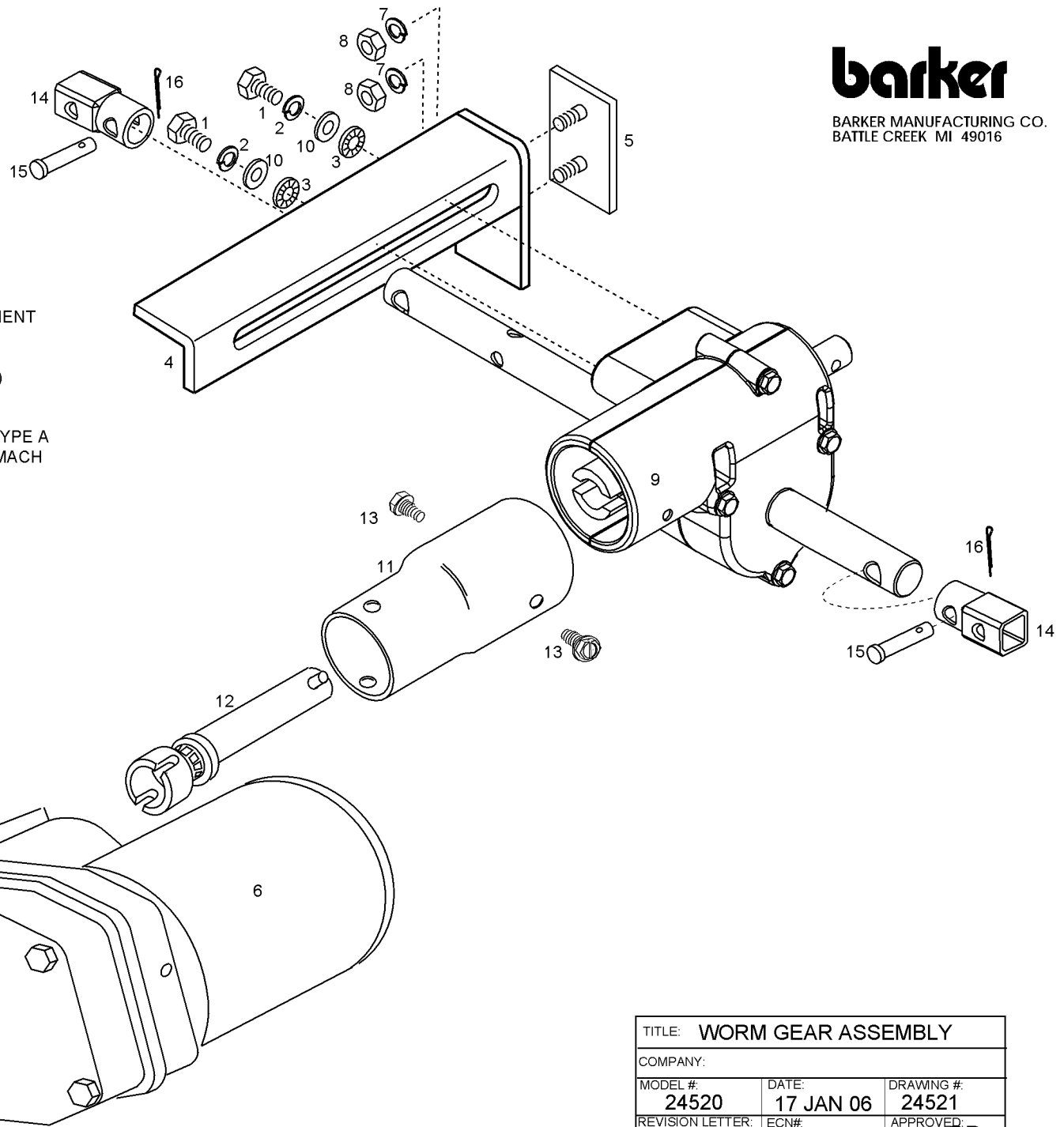


# barker

BARKER MANUFACTURING CO.  
BATTLE CREEK MI 49016



Item	Part	Req'd	Description
1	600-0028	2	HEX BOLT (3/8 X 1)
2	618-1000	2	SPRING LOCKWASHER (3/8")
3	619-1105	2	SERRATED WASHER (3/8")
4	24188	1	MOUNTING BRACKET WELDMENT
5	24425	1	STUD PLATE ASSEMBLY
6	29546	1	POWERHEAD (17:1)
7	80224	2	SPRING LOCKWASHER (5/16")
8	610-1400	2	HEX NUT
9	24185	1	WORM DRIVE
10	617-0027	2	WASHER (3/8") (SERIES "N") TYPE A
11	29535	1	EXHAUST PIPE EXTENSION, MACH
12	29532	1	DRIVE SHAFT EXTENSION
13	606-0007	2	Ø.25-20 X .5 TYPE F SCREW
14	24428	2	COUPLER
15	643-0021	2	CLEVIS PIN
16	625-0013	2	COTTER PIN

TITLE: WORM GEAR ASSEMBLY		
COMPANY:		
MODEL #: <b>24520</b>	DATE: <b>17 JAN 06</b>	DRAWING #: <b>24521</b>
REVISION LETTER: <b>E</b>	ECN#: <b>12961</b>	APPROVED: <b>GB</b>

Copyright Burr Manufacturing Co. 1997