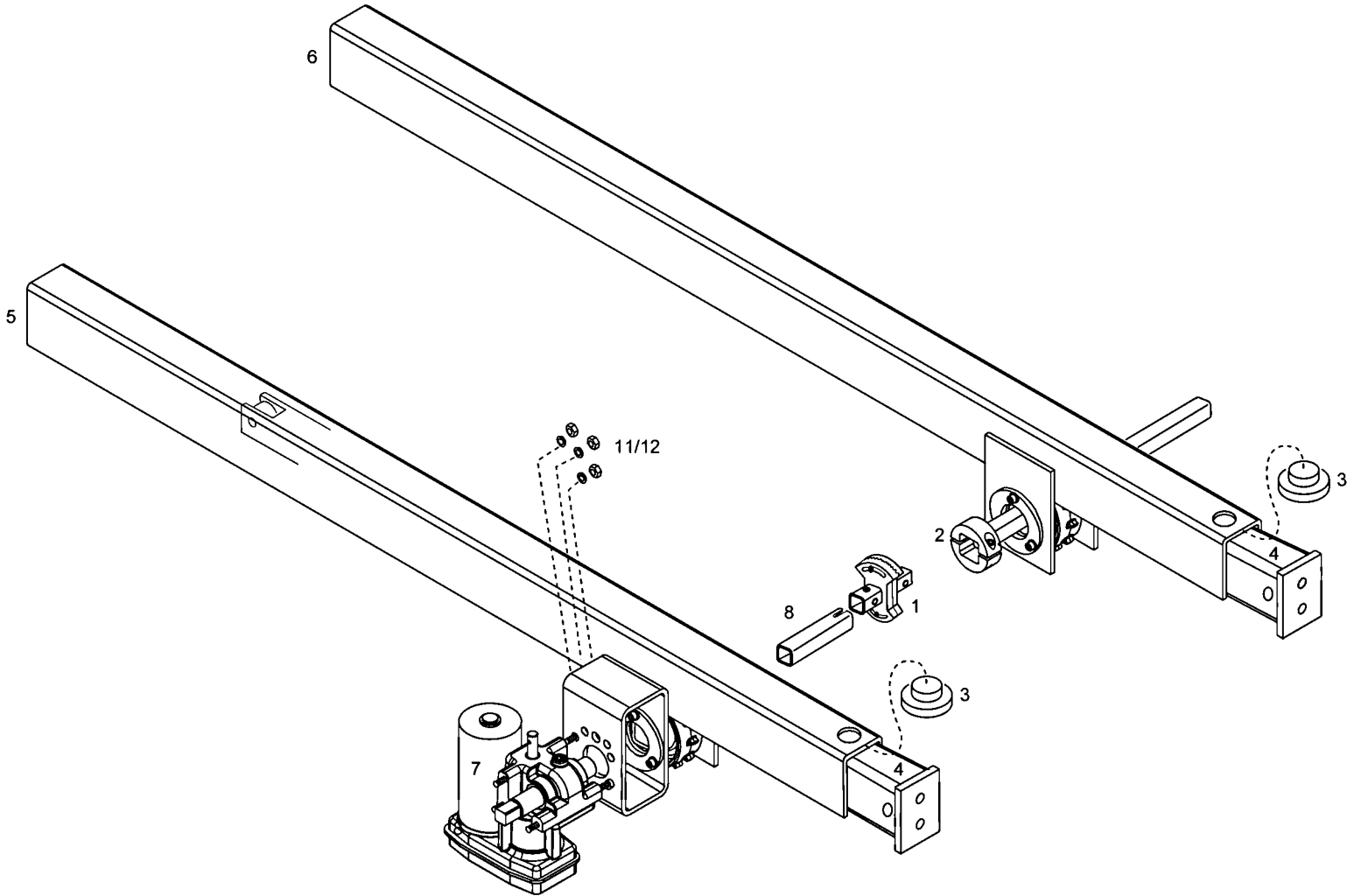




BARKER MANUFACTURING CO.
BATTLE CREEK MI 49016



Item	Part	Req'd	Description
1	27090	1	ADJUSTABLE SHAFT ADAPTER ASS'Y
2	26403	2	SHAFT COLLAR
3	26406	2	BEARING PAD
4	29094	2	SLIDESTOCK ASS'Y (57.50")
5	27065	1	SADDLE ASS'Y (POWERED)
6	28188	1	SLAVE SADDLE ASS'Y
7	29691	1	WORM DRIVE ASSEMBLY
8	28062	1	SLOTTED DRIVE SHAFT 6"

TITLE		
COG SLIDEOUT		
CUSTOMER		
NON- FLUSH FLOOR		
MODEL NO.	DATE	DRW. NO.
28184	10 APR 06	28187
ECN NO.	REV. LEVEL	APPROVED BY:
13077	B	GB

© Copyright Barker Manufacturing Co. 1997