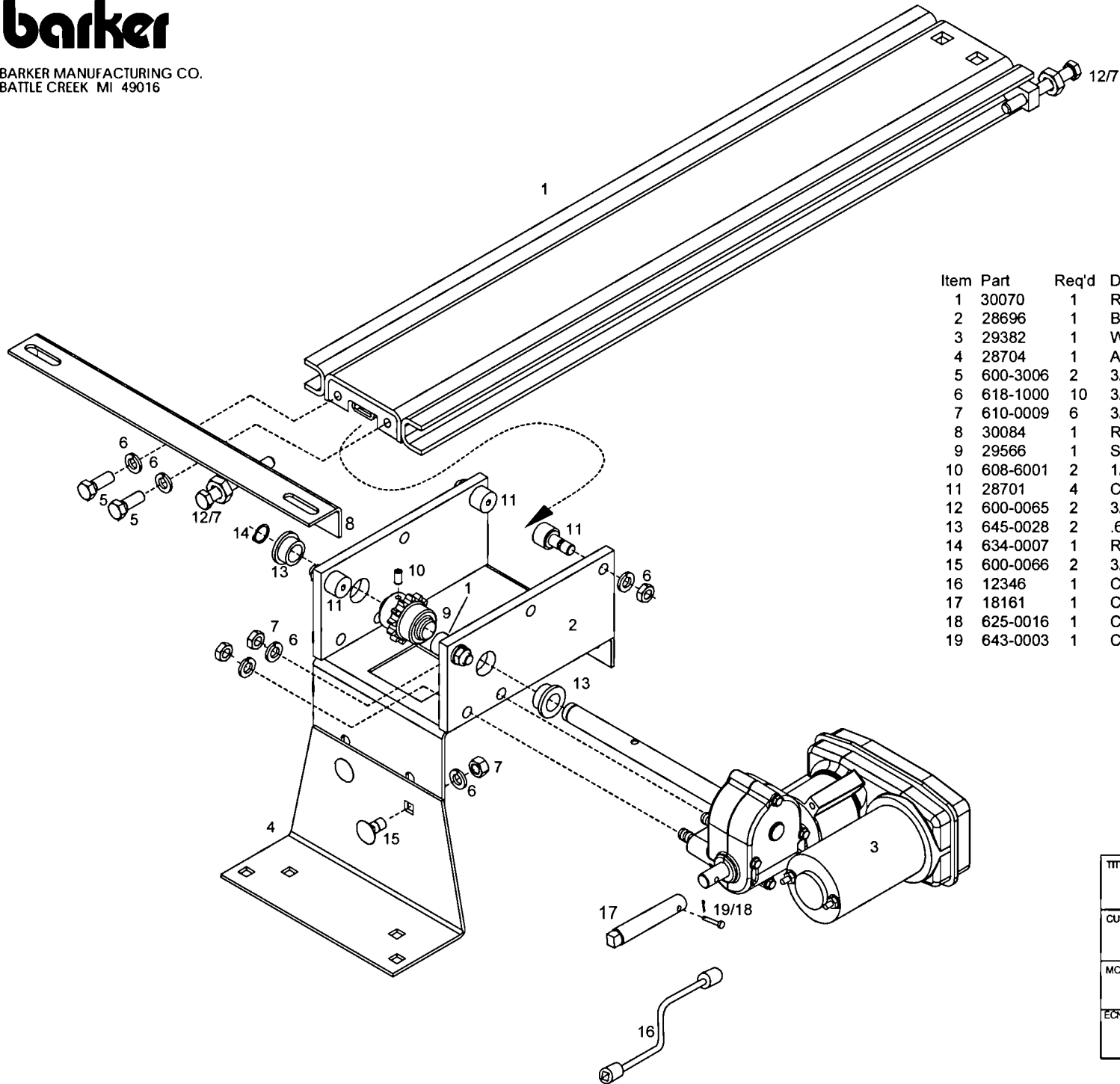


barker

BARKER MANUFACTURING CO.
BATTLE CREEK MI 49016



Item	Part	Req'd	Description
1	30070	1	RAM WELDMENT
2	28696	1	BASE WELDMENT
3	29382	1	WORM DRIVE ASSEMBLY
4	28704	1	ADJUSTABLE BRACKET
5	600-3006	2	3/8-16 X 3/4 HEX BOLT
6	618-1000	10	3/8 LOCKWASHER
7	610-0009	6	3/8-16 HEX NUT
8	30084	1	REAR MOUNTING BRACKET WELDMENT
9	29566	1	SPROCKET
10	608-6001	2	1/4-20 SET SCREW
11	28701	4	CAM FOLLOWER
12	600-0065	2	3/8-16 x 3" HEX HEAD BOLT
13	645-0028	2	.625 X .500 FLANGE BEARING
14	634-0007	1	RETAINING RING
15	600-0066	2	3/8-16 X .75 CARRIAGE BOLTS
16	12346	1	CRANK ASS'Y
17	18161	1	CRANK TUBE ASS'Y
18	625-0016	1	COTTER PIN
19	643-0003	1	CLEVIS PIN

TITLE		
SLIM LINE SLIDEOUT-REG		
CUSTOMER		
MODEL NO.	DATE	DRW. NO.
29410	5 APRIL 05	29409
ECN NO.	REV. LEVEL	APPROVED BY:
12487	A	GB

458© Copyright Barker Manufacturing Co.